

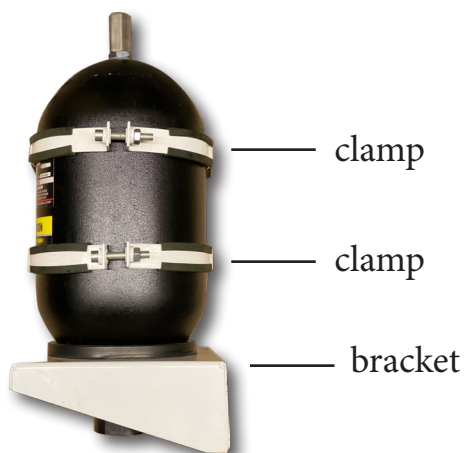
# Mounting Clamps & Brackets



- for accumulators & cylinders
- single bolt, double bolt
- carbon steel, stainless steel
- custom sizes



## Mounting Clamps and Brackets for Accumulators, Cylinders

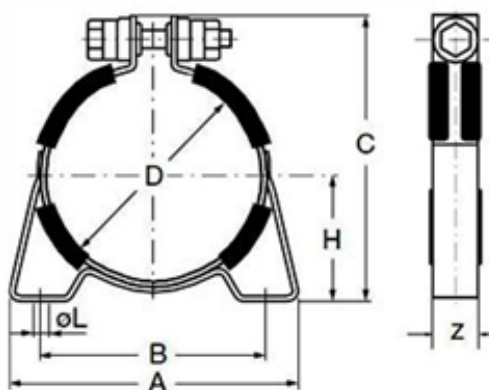


Our accumulator mounting clamps and brackets are designed to provide simple and secure mounting for accumulators, cylinders and filter housings.

### Features:

- Rubber cushioning to reduce vibration and noise.
- Compensation for thermal expansion and contraction.
- Exclusively designed for all types of accumulators, cylinders and filter housings.
- White paint or clear Zinc plated to resist corrosion.
- Material: carbon steel and stainless steel.
- Special sizes, designs and materials available upon request.

### Single Bolt Clamps, RMS Series:



carbon steel, stainless steel

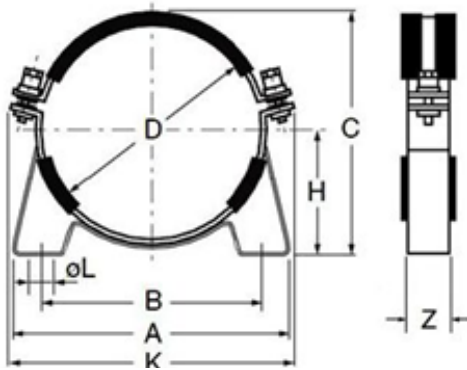
### Mounting Clamps, Single Bolt

Model	A in. (mm)	B in. (mm)	C in. (mm)	D (Dia.) in. (mm)	H in. (mm)	L (Slot) in. (mm)	Width Z in. (mm)	Wt. lbs. (kg)
RMS-45	5.26 (134)	3.94 (100)	6.68 (170)	4.51 (115)	2.87 (73)	.38 x .50 (9.7 x 12.7)	1.25 (32)	1.8 (.82)
RMS-50	6.89 (175)	5.35 (136)	7.12 (181)	5.00 (126)	3.03 (77)	.38 x .50 (9.7 x 12.7)	1.25 (32)	1.8 (.82)
RMS-57	6.63 (168)	5.35 (136)	7.75 (197)	5.75 (146)	3.50 (89)	.38 x .50 (9.7 x 12.7)	1.25 (32)	2.0 (.91)
RMS-67	7.50 (191)	6.02 (153)	9.00 (229)	6.75 (171)	3.94 (100)	.38 x .50 (9.7 x 12.7)	1.25 (32)	2.3 (1.0)
RMS-71	8.18 (208)	6.31 (160)	9.38 (238)	7.12 (189)	4.18 (106)	.38 x .50 (9.7 x 12.7)	1.25 (32)	2.2 (1.0)
RMS-91	10.12 (257)	8.50 (216)	11.38 (289)	9.12 (232)	5.00 (127)	.38 x .50 (9.7 x 12.7)	1.25 (32)	2.8 (1.3)

-Add "S" at the end of model number for stainless steel materials

-Dimensions are for reference only, contact us for non-standard accumulators or cylinder applications.

**Double Bolt Clamps, RMD Series:** . . . . .

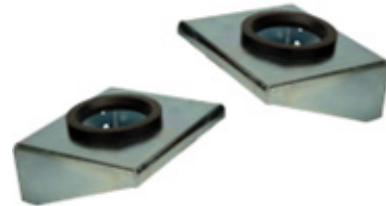
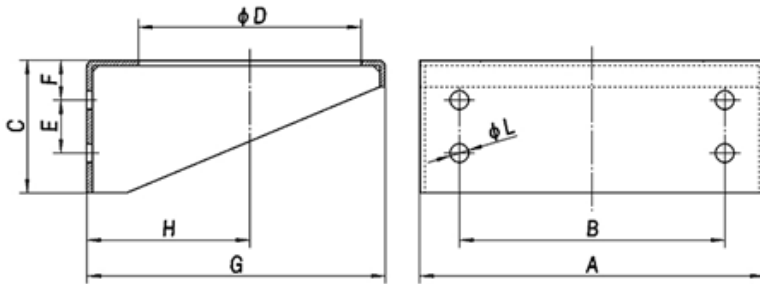


carbon steel, stainless steel

Mounting Clamps, Double Bolt									
Model	A in. (mm)	B in. (mm)	C in. (mm)	D (Dia.) in. (mm)	H in. (mm)	K in. (mm)	L in. (mm)	Width Z in. (mm)	Wt. lbs. (kg)
RMD-91	10.00 (254)	8.50 (216)	9.89 (251)	9.12 (232)	4.95 (126)	12.48 (317)	.59 (15)	1.50 (38)	3.4 (1.5)
RMD-97	10.40 (264)	8.50 (216)	10.50 (267)	9.75 (248)	5.31 (135)	12.99 (330)	.59 (15)	1.50 (38)	3.4 (1.5)
RMD-141	16.81 (260)	14.37 (365)	15.08 (383)	14.13 (359)	7.68 (195)	16.69 (424)	.59 (15)	1.50 (38)	5.5 (2.4)

-Add "S" at the end of model number for stainless steel materials  
 -Dimensions are for reference only, contact us for non-standard accumulators or cylinder applications.

**Base Brackets (with Rubber Ring), RBB Series:** . . . . .



Base Brackets with Rubber Ring										
Model	A in. (mm)	B in. (mm)	C in. (mm)	D (Dia.) in. (mm)	E in. (mm)	F in. (mm)	G in. (mm)	H in. (mm)	L (Dia.) in. (mm)	Wt. lbs. (kg)
RBB-45	7.03 (179)	5.55 (141)	3.45 (100)	4.53 (115)	1.56 (39.6)	1.10 (28)	6.90 (175)	3.65 (93)	.53 (13.5)	3.5 (1.9)
RBB-66	9.75 (248)	7.15 (182)	3.60 (91)	6.63 (170)	1.76 (45)	1.36 (35)	9.75 (248)	5.15 (131)	.53 (13.5)	5.0 (2.8)
RBB-83	15.35 (390)	10.63 (270)	9.45 (240)	8.31 (211)	7.09 (180)	2.36 (60)	15.35 (390)	7.68 (195)	.87 (22)	16.9 (7.7)

-Add "S" at the end of model number for stainless steel materials  
 -Dimensions are for reference only, contact us for non-standard accumulators or cylinder applications.

## Mounting Components Compatibility:

Compatibility chart is based on Reasontek standard RAS, RAL series accumulators. Check the dimensions in the catalog for any questions.

For other brands or non-standard accumulators or cylinders, please check with our technical help.

For 3,000 PSI Bladder Accumulators				
Accumulator Size	Nominal Diameter in. (mm)	Clamp Model	Qty.	Base Bracket Model
1 quart	4.5 (114)	RMS-45	1	None
2-quart	4.5 (114)	RMS-45	1	None
1 gallon	6.7 (170)	RMS-67	1	RBB-45
2-1/2-gallon	9.1 (231)	RMD-91	1	RBB-66
5-gallon	9.1 (231)	RMD-91	2	RBB-66
10-gallon	9.1 (231)	RMD-91	2	RBB-66
15-gallon	9.1 (231)	RMD-91	3	RBB-66
25-gallon	14.25 (362)	RMD-141	3	RBB-83
40-gallon	14.25 (362)	RMD-141	3	RBB-83

For 5,000 PSI Bladder Accumulators				
Accumulator Size	Nominal Diameter in. (mm)	Clamp Model	Qty.	Base Bracket Model
1 gallon	7.12 (181)	RMS-71	1	RBB-45
2-1/2-gallon	9.75 (248)	RMD-97	1	RBB-66
5-gallon	9.75 (248)	RMD-97	2	RBB-66
10-gallon	9.75 (248)	RMD-97	2	RBB-66
15-gallon	9.75 (248)	RMD-97	3	RBB-66

### Quick Order Guide:

**1G Accumulator, 3,000 PSI:** RMS-67 or RMS-67S; RBB-45 or RBB-45S  
**2.5-15G Accumulators, 3,000 PSI:** RMD-91 or RMD-91S; RBB-66 or RBB-66S  
**1G Accumulator, 5,000 PSI:** RMS-71 or RMS-71S; RBB-45 or RBB-45S  
**2.5-15G Accumulators, 5,000 PSI:** RMD-97 or RMD-97S; RBB-66 or RBB-66S

Free online sizing tools & technical instructions, articles  
<https://accumulators.reasontek.com/blog>



Why Reasontek?

*Need help? Contact us: 323-800-6566  
 Global Hotline, WhatsApp: 1-626-2902438*



Online Sizing

Reasontek Corporation  
 565 W. Lambert Rd. #D, Brea, CA 92821 USA | [www.accumulators.reasontek.com](http://www.accumulators.reasontek.com)  
 sales@reasontek.com | p: 323-800-6566 | f: 714-592-7723