

**ONE SOURCE FOR ALL ACCUMULATOR NEEDS**

# Accumulator Products



**ASME 2,000/3,000/5,000 PSI  
Carbon Steel, Stainless Steel**

**Std. Oil Service  
Water & Chemical  
Service**



# FEATURED PRODUCTS



### Std. Oil Service

Standard lube oil service, top and bottom repairable, economical type widely used for hydraulic services.



### Std. & High Water Service

Nickel plated shell and components for regular water applications. Stainless steel components for high water services.



### High Corrosive Service

Epoxy coating interior/exterior and stainless steel components for harsh environment high corrosive use, offshore drilling, subsea, etc.



### Low Pressure Flange Type

Special design for low pressure pipeline connections. Carbon steel and stainless steel, standard ANSI flange.



### All Stainless Steel

Stainless steel on all wetted and non-wetted components, best corrosion protection. Especially for food industry, labs and clean environment.

## SPECIFICATIONS:

### Materials

**Shell**-high strength alloy steel (SA372) with ASME Certification; Stainless steel 316 with ASME Certification. NB registered with U stamp.

**Fluid Port**-high strength alloy steel for oil and water services (with Nickel plate. Stainless steel 316 for water & chemical services.

**Poppet & Spring** - 304/316 stainless steel.

**Bladder** - various rubber compounds, see the website or catalogs.

### Maximum Flow Rates

**1-gallon:** 150 GPM or 568 LPM

**2 ½-15-gallon Std.:** 220 GPM or 833 LPM

**2 ½-15-gallon High Flow:** 600 GPM or 2271 LPM

| Size                     | Standard ASME Certification |           |        | ASME Appendix 22 |        |
|--------------------------|-----------------------------|-----------|--------|------------------|--------|
|                          | Status                      | Rating    | D.F    | Rating           | D. F   |
| 1-15 Gallon<br>3,000 PSI | Standard                    | 3,000 PSI | 4 to 1 | 4,000 PSI        | 3 to 1 |
| 1-15 Gallon<br>5,000 PSI | Standard                    | 5,000 PSI | 4 to 1 | 6,600 PSI        | 3 to 1 |

**Bottom Repairable-3,000 and 5,000 PSI.**

| Size<br>Gallon<br>(Liters) | Dimensions, inch (mm) |                 |              |              |               |               | Fluid Port, Thread E <sup>1</sup> |                      | Bleed<br>Port | Weight<br>lbs.(Kg.) |              |              |
|----------------------------|-----------------------|-----------------|--------------|--------------|---------------|---------------|-----------------------------------|----------------------|---------------|---------------------|--------------|--------------|
|                            | A                     |                 | B            |              | C             |               | D                                 | SAE                  |               | NPT                 | 3,000        | 5,000        |
|                            | 3,000                 | 5,000           | 3,000        | 5,000        | 3,000         | 5,000         |                                   |                      |               |                     |              |              |
| 1 Qt.<br>(1)               | 11.12<br>(282)        | -               | 2.00<br>(51) | -            | 4.5<br>(114)  | -             | 1.62<br>(41)                      | SAE#12<br>1-1/16"-12 | 3/4"          | -                   | 10<br>(4.5)  | -            |
| 1<br>(3.8)                 | 17<br>(432)           | -               | 3.50<br>(89) | -            | 6.75<br>(171) | -             | 2.37<br>(60)                      | SAE#20<br>1-5/8"-12  | 1-1/4"        | 1/4" NPT            | 34<br>(15)   | -            |
| 2.5<br>(9.46)              | 21.38<br>(543)        | 22.55<br>(573)  | 3.62<br>(92) | 3.88<br>(99) | 9.06<br>(230) | 9.63<br>(245) | 3.00<br>(76)                      | SAE#24<br>1-7/8"-12  | 2"            | 1/4" NPT            | 80<br>(36)   | 120<br>(55)  |
| 5<br>(18.9)                | 33.38<br>(848)        | 34.80<br>(884)  | 3.62<br>(92) | 3.88<br>(99) | 9.06<br>(230) | 9.63<br>(245) | 3.00<br>(76)                      | SAE#24<br>1-7/8"-12  | 2"            | 1/4" NPT            | 120<br>(55)  | 200<br>(91)  |
| 10<br>(38)                 | 54.38<br>(1382)       | 55.30<br>(1405) | 3.62<br>(92) | 3.88<br>(99) | 9.06<br>(230) | 9.63<br>(245) | 3.00<br>(76)                      | SAE#24<br>1-7/8"-12  | 2"            | 1/4" NPT            | 220<br>(100) | 335<br>(152) |
| 11<br>(41.6)               | 59.88<br>(1520)       | 60.88<br>(1546) | 3.62<br>(92) | 3.88<br>(99) | 9.06<br>(230) | 9.63<br>(245) | 3.00<br>(76)                      | SAE#24<br>1-7/8"-12  | 2"            | 1/4" NPT            | 240<br>(109) | 375<br>(209) |
| 15<br>(56.8)               | 77.88<br>(1978)       | 79.80<br>(2027) | 3.62<br>(92) | 3.88<br>(99) | 9.06<br>(230) | 9.63<br>(245) | 3.00<br>(76)                      | SAE#24<br>1-7/8"-12  | 2"            | 1/4" NPT            | 305<br>(139) | 485<br>(220) |

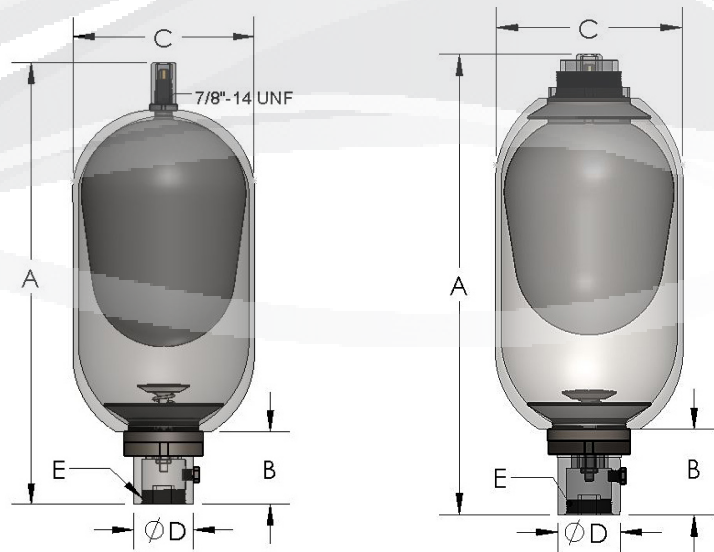
**Top Repairable-3,000 and 5,000 PSI.**

| Size<br>Gallon<br>(Liters) | Dimensions, inch (mm) |                 |              |              |               |               | Fluid Port, Thread E <sup>1</sup> |                     | Bleed<br>Port | Weight<br>lbs.(Kg.) |              |              |
|----------------------------|-----------------------|-----------------|--------------|--------------|---------------|---------------|-----------------------------------|---------------------|---------------|---------------------|--------------|--------------|
|                            | A                     |                 | B            |              | C             |               | D                                 | SAE                 |               | NPT                 | 3,000        | 5,000        |
|                            | 3,000                 | 5,000           | 3,000        | 5,000        | 3,000         | 5,000         |                                   |                     |               |                     |              |              |
| 2.5<br>(9.46)              | 21.38<br>(543)        | 21.68<br>(551)  | 3.62<br>(92) | 3.88<br>(99) | 9.06<br>(230) | 9.63<br>(245) | 3.00<br>(76)                      | SAE#24<br>1-7/8"-12 | 2"            | 1/4" NPT            | 80<br>(36)   | 120<br>(55)  |
| 5<br>(18.9)                | 33.38<br>(848)        | 33.92<br>(862)  | 3.62<br>(92) | 3.88<br>(99) | 9.06<br>(230) | 9.63<br>(245) | 3.00<br>(76)                      | SAE#24<br>1-7/8"-12 | 2"            | 1/4" NPT            | 120<br>(55)  | 200<br>(91)  |
| 10<br>(38)                 | 54.38<br>(1382)       | 54.42<br>(1382) | 3.62<br>(92) | 3.88<br>(99) | 9.06<br>(230) | 9.63<br>(245) | 3.00<br>(76)                      | SAE#24<br>1-7/8"-12 | 2"            | 1/4" NPT            | 220<br>(100) | 335<br>(152) |
| 11<br>(41.6)               | 59.88<br>(1520)       | 59.98<br>(1523) | 3.62<br>(92) | 3.88<br>(99) | 9.06<br>(230) | 9.63<br>(245) | 3.00<br>(76)                      | SAE#24<br>1-7/8"-12 | 2"            | 1/4" NPT            | 240<br>(109) | 375<br>(209) |
| 15<br>(56.8)               | 77.88<br>(1978)       | 78.36<br>(1990) | 3.62<br>(92) | 3.88<br>(99) | 9.06<br>(230) | 9.63<br>(245) | 3.00<br>(76)                      | SAE#24<br>1-7/8"-12 | 2"            | 1/4" NPT            | 305<br>(139) | 485<br>(220) |

**Bladder Accumulator RAS, RAL Series**  
 2,000/3,000/5,000 PSI. Carbon Steel, Stainless Steel  
 High Quality Bladders Made in US/Europe

**APPLICATIONS:**

- Hydraulic Power Units
- BOP Control Systems
- Pump Pulsation Control
- Pipeline Surge Suppression
- Wind Power systems
- Turbo-machinery
- Oil & Gas Equipment
- Power Plants



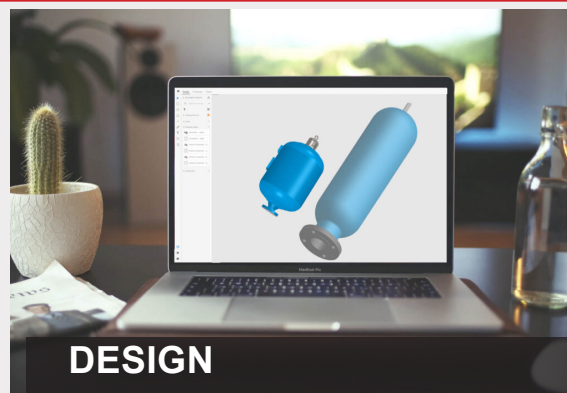
Bottom Repair

Top Repair

**Design • Production • Service**

100% customer satisfaction

*Affordable American Brand for the World*



**DESIGN**

**PRODUCTION**

**SERVICE**

**OUR SERVICES:**

- 2D/3D accumulator custom design; accumulator sizing;
- Accumulator repair, rebuild and inspection;
- Bladder replacement, Nitrogen pre-charging;
- Accumulator technical support & training



Why Reasontek?

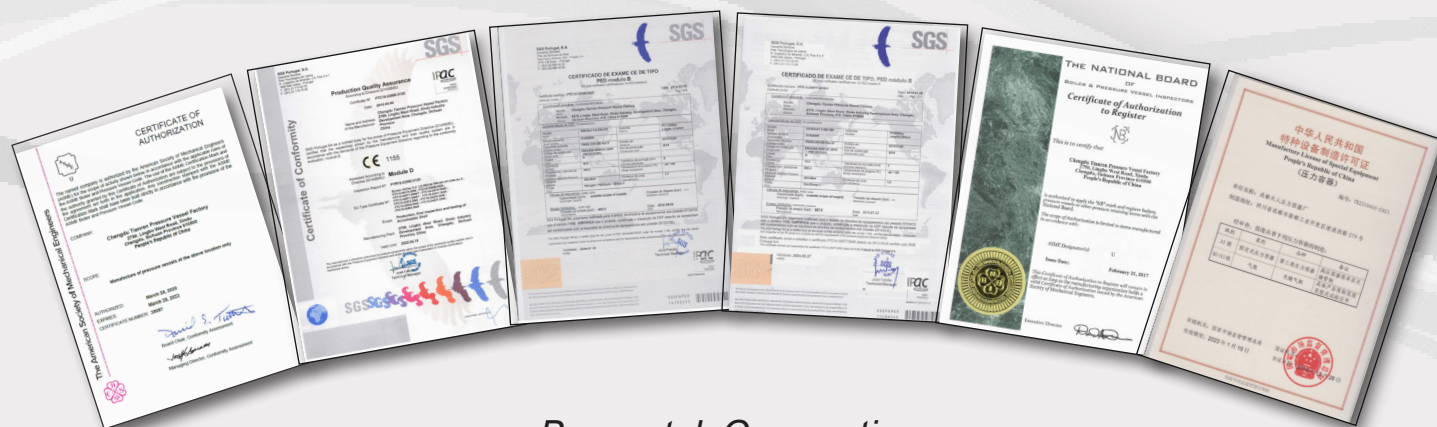
*Free online sizing tools & technical instructions, articles*

*<https://accumulators.reasontek.com/blog>*



Online Sizing

*Need help? Contact us: 323-800-6566  
Global Hotline, WhatsApp: 1-626-2902438*



**Reasontek Corporation**

565 W. Lambert Rd. #D, Brea, CA 92821 USA | [www.accumulators.reasontek.com](http://www.accumulators.reasontek.com)  
sales@reasontek.com | p: 323-800-6566 | f: 714-592-7723