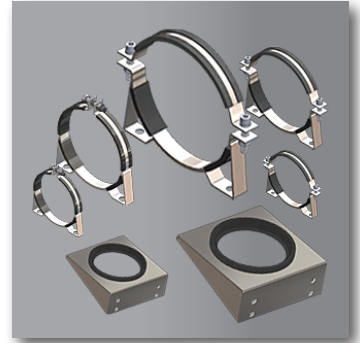
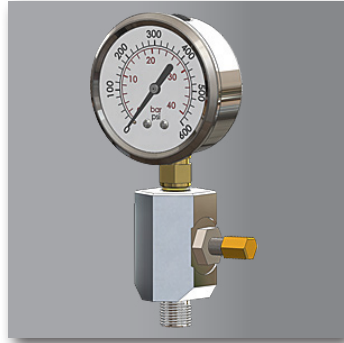


Tools & Accessories



Charging & Gauging Kits
Service & Repair Kits
Mounting Components
Gas Valves
Hand Tools & Accessories

RGA-100-X Series

Charging & Gauging Assembly, 3,000 PSI.



RGA-100-X/C with case



The RGA-100X series Charging and Gauging Assembly from Reasontek are standard tools for maintaining the Nitrogen pre-charge in hydro-pneumatic accumulators. It can be used for all types of accumulators or pressure tanks with standard Schrader gas valve connection.

Gauges are available in different pressure ranges up to 3000 PSI. Other pressures and metric gauge markings are also available. Replace "X" with pressure gauge readings ranging from 100 PSI to 5,000 PSI (A-F). See the ordering code below.

RGA-100-X can be used for Reasontek RAS, RAL, RPK series bladder accumulators.

Ordering Code:

RGA-100- **(without case)**

RGA-100- **/C (with case)**

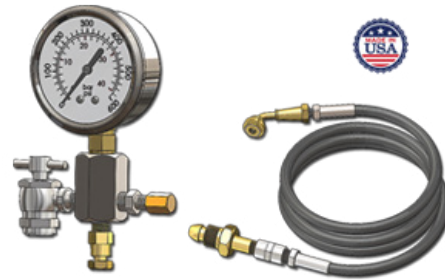
RGA-100-X Parts List:

Series	Pressure Gauge	Item #	Description & Qty.	Part Number
RGA-100-		1	Body, Portable Mount, 1 pc	RGA-001
		2	Air Chuck, 5,000 PSI, Scharder type, 0.305"-32, 1 pc	RGA-002
		3	Bleed Valve, 1/8" NPT, 1 pc	RGA-003
		4	Tank Valve, 1/8" NPT, 1 pc	RGA-004
		5	Pressure Gauge, 1 pc	RGA-005
		6	Swivel Connector, 1/8" NPT, 1 pc	RGA-006
		7	Hose Assembly (10 feet), 1 pc	RGA-007
		8	Coupler, 1/4" NPT 1 pc	RGA-008
		9	Gland, 1/4" NPT, 1 pc	RGA-009
		10	Nut, CGA-580, 1 pc	RGA-010

example: RGA-100-E, charging kit with 3,000 PSI pressure gauge.

Features:

- 10' Parker 3,000 PSI hydraulic hose with standard right-hand thread nitrogen fitting (CGA-580).
- Easy to install and operate.
- No external leakage.
- Maximum versatility.
- All hardware included, made in US
- High quality stainless steel pressure gauge.
- Easy to repair or interchange with parts list.



RGA-100-X without case

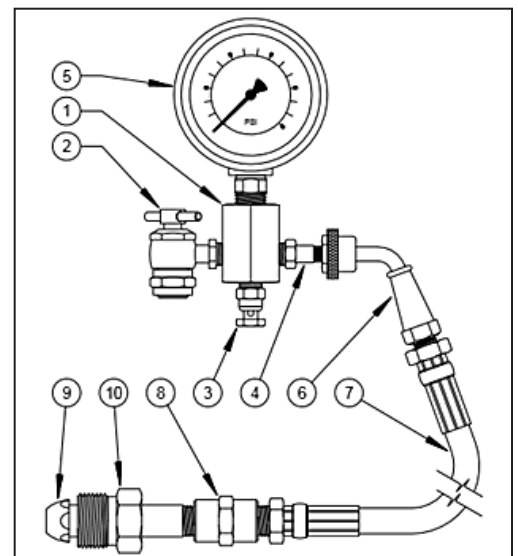


Gas valve charging extension, for our top repairable accumulators, PN: T800200 (sold separately)



CAUTION: Accumulator charging can be dangerous, fully trained professionals only. Read our accumulator charging instructions carefully before operation. Always wear safety protections.

Check the RGA-100-X instructions on our website for the details.



RGA-200-X Series

Charging & Gauging Assembly, 3,000 PSI.



RGA-200-X/C with case

The RGA-200X series Charging and Gauging Assembly from Reasontek are standard tools for diaphragm accumulator charging with metric M28X1.5 connection.

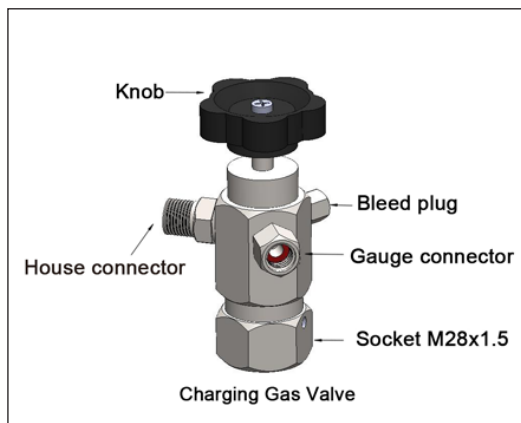
Gauges are available in different pressure ranges up to 3000 PSI. Other pressures and metric gauge markings are also available. Replace "X" with pressure gauge readings ranging from 100 PSI to 5,000 PSI (A-F). See the ordering code below.

RGA-200-X is used for Reasontek RAD series diaphragm accumulators only.

Ordering Code:

RGA-200- **(without case)**

RGA-200- **/C (with case)**



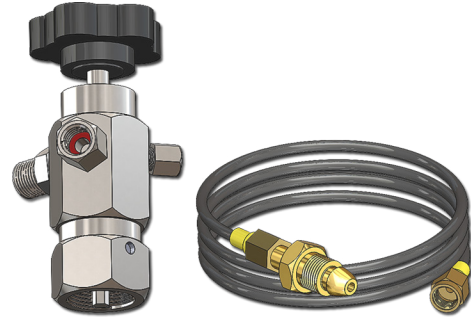
Check the RGA-200-X instructions on our website for the details.



CAUTION: Accumulator charging can be dangerous, fully trained professionals only. Read our accumulator charging instructions carefully before operation. Always wear safety protections.

Features:

- 10 feet 4,000 PSI hydraulic hose with standard right-hand thread Nitrogen fitting (CGA-580).
- Easy to install and operate.
- No external leakage.
- Maximum versatility.
- High quality stainless steel pressure gauge.

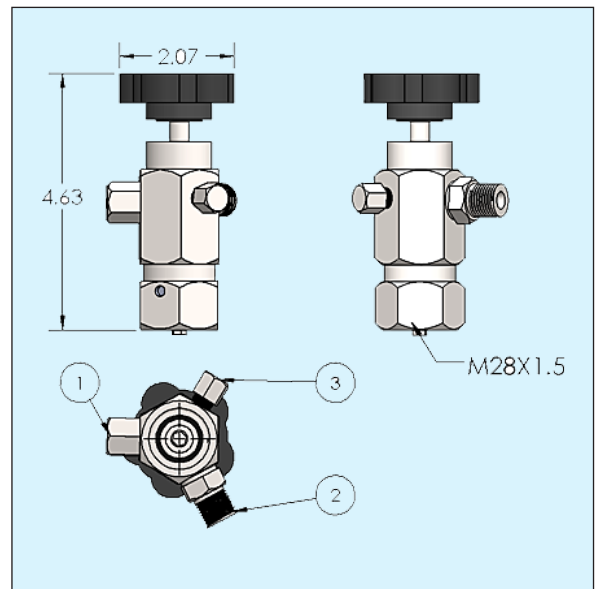


RGA-200-X without case

RGA-200-X Parts List:

Series	Pressure Gauge	Item #	Specifications
RGA-200-	A-0-100 PSI	1	Connection, Pressure Gauge 1/4" NPT
	B-0-300 PSI		
	C-0-600 PSI		
	D-0-1,500 PSI	2	Connection, Hose, M14X1.5
	E-0-3,000 PSI		
	F-0-5,000 PSI		
		3	Bleed Plug, M10

example: RGA-200-E, charging kit with 3,000 PSI pressure gauge.



RMK-100-X Series

Accumulator Service Kit, 3,000 PSI.



RMK-100-X, with case

The RMK-100X series Accumulator Service Kit is a complete tool set for accumulator repair, maintenance and services with maximum pre-charging pressure of 3,000 PSI.

The tool set has a total of 13 pcs of components including the Nitrogen Charging Kit RGA-100-X and other tools.

Dual pressure gauges are provided for both low and high pressure charging. Replace “X” with high pressure gauge readings ranging from 100 PSI to 5,000 PSI (A-F). See the ordering code below.

RMK-100-X can be used for Reasontek RAS, RAL, RPK series bladder accumulators.

RMK-100-X Parts List:

- 1) 10FT Parker Charging Hose Assembly, 3000 PSI;
- 2) Charging & Gauging Adapter Assembly
- 3) Bladder Pulling Rods (4pcs)
- 4) Bladder Pulling Adapter
- 5) Spanner Wrench
- 6) Pressure Gauges (High: 100-5000 PSI; Low 100 PSI), stainless steel
- 7) Valve Core, 3000PSI
- 8) Valve Core Driver
- 9) Gas Valve, 3000PSI

-1) and 2) are Accumulator Charging Kit RGA-100-X, see the charging kit section for details.

Ordering Code:

RMK-100- (with case)

Series	Pressure Gauge (High)
RMK-100-	A-0-100 PSI
	B-0-300 PSI
	C-0-600 PSI
	D-0-1,500 PSI
	E-0-3,000 PSI
	F-0-5,000 PSI
example: RMK-100-E, service kit with 3,000 PSI high pressure gauge.	

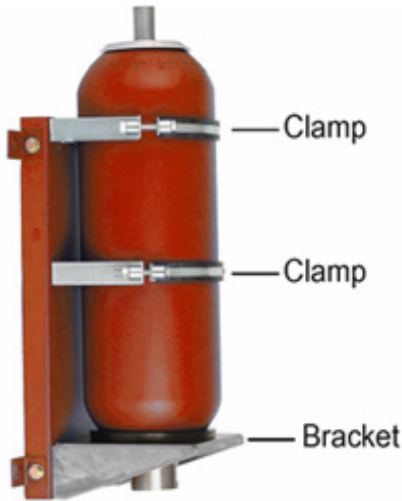
See the next section Tools & Accessories below for the details of the included tool specifications.

.....

Check our [Accumulator Assembly Instructions](#) and [Nitrogen Charging Instructions](#) on the website or in the Appendix section for the details of accumulator disassembly and assembly, bladder replacement, service and repair operations. Improper operation may cause parts damage or persona injury.

CAUTION: Accumulator service can be dangerous, fully trained professionals only. Read our accumulator service instructions carefully before operation. Always wear safety protections.

Mounting Clamps and Brackets for Accumulators, Cylinders

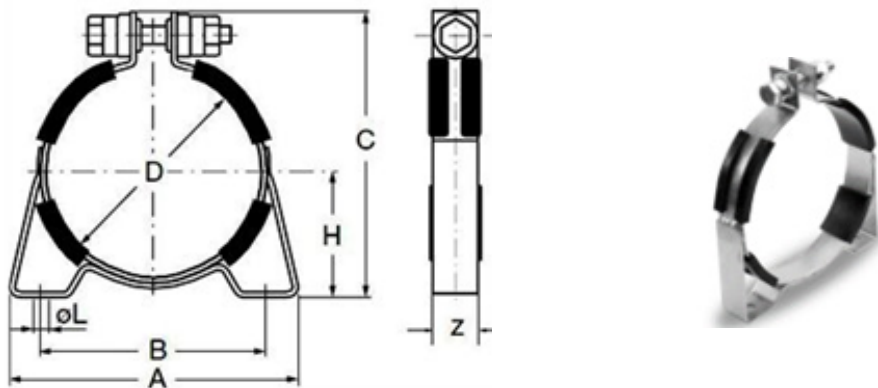


Our accumulator mounting clamps and brackets are designed to provide simple and secure mounting for accumulators, cylinders and filter housings.

Features:

- Rubber cushioning to reduce vibration and noise.
- Compensation for thermal expansion and contraction.
- Exclusively designed for all types of accumulators, cylinders and filter housings.
- White paint or clear Zinc plated to resist corrosion.
- Material: carbon steel and stainless steel.
- Special sizes, designs and materials available upon request.

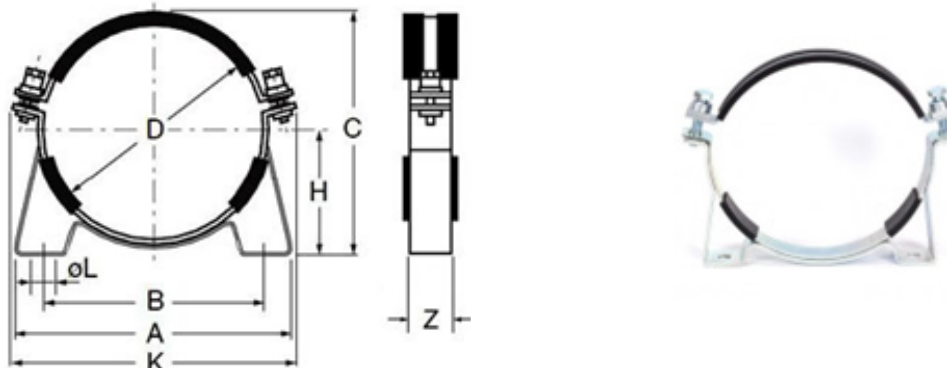
Single Bolt Clamps, RMS Series:



Mounting Clamps, Single Bolt								
Model	A in. (mm)	B in. (mm)	C in. (mm)	D (Dia.) in. (mm)	H in. (mm)	L (Slot) in. (mm)	Width Z in. (mm)	Wt. lbs. (kg)
RMS-45	5.26 (134)	3.94 (100)	6.68 (170)	4.51 (115)	2.87 (73)	.38 x .50 (9.7 x 12.7)	1.25 (32)	1.8 (.82)
RMS-50	6.89 (175)	5.35 (136)	7.12 (181)	5.00 (126)	3.03 (77)	.38 x .50 (9.7 x 12.7)	1.25 (32)	1.8 (.82)
RMS-57	6.63 (168)	5.35 (136)	7.75 (197)	5.75 (146)	3.50 (89)	.38 x .50 (9.7 x 12.7)	1.25 (32)	2.0 (.91)
RMS-67	7.50 (191)	6.02 (153)	9.00 (229)	6.75 (171)	3.94 (100)	.38 x .50 (9.7 x 12.7)	1.25 (32)	2.3 (1.0)
RMS-71	8.18 (208)	6.31 (160)	9.38 (238)	7.12 (189)	4.18 (106)	.38 x .50 (9.7 x 12.7)	1.25 (32)	2.2 (1.0)
RMS-91	10.12 (257)	8.50 (216)	11.38 (289)	9.12 (232)	5.00 (127)	.38 x .50 (9.7 x 12.7)	1.25 (32)	2.8 (1.3)

-Add "S" at the end of model number for stainless steel materials
 -Dimensions are for reference only, contact us for non-standard accumulators or cylinder applications.

Double Bolt Clamps, RMD Seris:

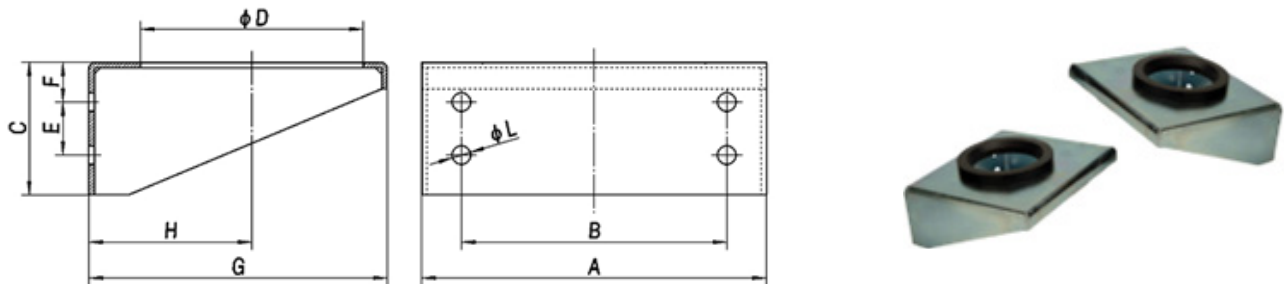


Mounting Clamps, Double Bolt

Model	A in. (mm)	B in. (mm)	C in. (mm)	D (Dia.) in. (mm)	H in. (mm)	K in. (mm)	L in. (mm)	Width Z in. (mm)	Wt. lbs. (kg)
RMD-91	10.00 (254)	8.50 (216)	9.89 (251)	9.12 (232)	4.95 (126)	12.48 (317)	.59 (15)	1.50 (38)	3.4 (1.5)
RMD-97	10.40 (264)	8.50 (216)	10.50 (267)	9.75 (248)	5.31 (135)	12.99 (330)	.59 (15)	1.50 (38)	3.4 (1.5)
RMD-141	16.81 (260)	14.37 (365)	15.08 (383)	14.13 (359)	7.68 (195)	16.69 (424)	.59 (15)	1.50 (38)	5.5 (2.4)

-Add "S" at the end of model number for stainless steel materials
-Dimensions are for reference only, contact us for non-standard accumulators or cylinder applications.

Base Brackets (with Rubber Ring), RBB Seris:



Base Brackets with Rubber Ring

Model	A in. (mm)	B in. (mm)	C in. (mm)	D (Dia.) in. (mm)	E in. (mm)	F in. (mm)	G in. (mm)	H in. (mm)	L (Dia.) in. (mm)	Wt. lbs. (kg)
RBB-45	7.03 (179)	5.55 (141)	3.45 (100)	4.53 (115)	1.56 (39.6)	1.10 (28)	6.90 (175)	3.65 (93)	.53 (13.5)	3.5 (1.9)
RBB-66	9.75 (248)	7.15 (182)	3.60 (91)	6.63 (170)	1.76 (45)	1.36 (35)	9.75 (248)	5.15 (131)	.53 (13.5)	5.0 (2.8)
RBB-83	15.35 (390)	10.63 (270)	9.45 (240)	8.31 (211)	7.09 (180)	2.36 (60)	15.35 (390)	7.68 (195)	.87 (22)	16.9 (7.7)

-Add "S" at the end of model number for stainless steel materials
-Dimensions are for reference only, contact us for non-standard accumulators or cylinder applications.



Mounting Components Compatibility:

Compatibility chart is based on Reasontek standard RAS, RAL series accumulators. Check the dimensions in the catalog for any questions.

For other brands or non-standard accumulators or cylinders, please check with our technical help.

For 3,000 PSI Bladder Accumulators				
Accumulator Size	Nominal Diameter in. (mm)	Clamp Model	Qty.	Base Bracket Model
1 quart	4.5 (114)	RMS-45	1	None
2-quart	4.5 (114)	RMS-45	1	None
1 gallon	6.7 (170)	RMS-67	1	RBB-45
2-1/2-gallon	9.1 (231)	RMD-91	1	RBB-66
5-gallon	9.1 (231)	RMD-91	2	RBB-66
10-gallon	9.1 (231)	RMD-91	2	RBB-66
15-gallon	9.1 (231)	RMD-91	3	RBB-66
25-gallon	14.25 (362)	RMD-141	3	RBB-83
40-gallon	14.25 (362)	RMD-141	3	RBB-83

For 5,000 PSI Bladder Accumulators				
Accumulator Size	Nominal Diameter in. (mm)	Clamp Model	Qty.	Base Bracket Model
1 gallon	7.12 (181)	RMS-71	1	RBB-45
2-1/2-gallon	9.75 (248)	RMD-97	1	RBB-66
5-gallon	9.75 (248)	RMD-97	2	RBB-66
10-gallon	9.75 (248)	RMD-97	2	RBB-66
15-gallon	9.75 (248)	RMD-97	3	RBB-66

Quick Order Guide:

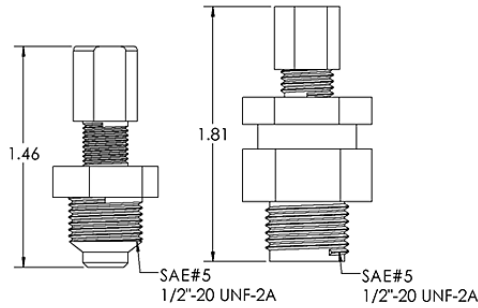
- 1G Accumulator, 3,000 PSI:** RMS-67 or RMS-67S; RBB-45 or RBB-45S
- 2.5-15G Accumulators, 3,000 PSI:** RMD-91 or RMD-91S; RBB-66 or RBB-66S
- 1G Accumulator, 5,000 PSI:** RMS-71 or RMS-71S; RBB-45 or RBB-45S
- 2.5-15G Accumulators, 5,000 PSI:** RMD-97 or RMD-97S; RBB-66 or RBB-66S



Nitrogen Gas Valves

Schrader type 3,000 to 10,000 PSI.

Two types of gas valves are available on our bladder accumulator products. 3,000 and 4,000 PSI rated models are offered with a cored valve cartridge. 5,000 to 10,000 PSI models are equipped with a heavy duty military type metal seal (poppet type) cartridge. *(4,000 PSI model has both types design)*



standard gas valve military gas valve



G100025, 3,000 PSI.

Code	Thread, Bottom	Type
G1	3/8"-24, SAE#3	standard valve core



G100026, 3,000 PSI.

Code	Thread, Bottom	Type
G2	1/2"-20, SAE#5	standard valve core



G100027, 3,000 PSI.

Code	Thread, Bottom	Type
G3	1/2"-20, SAE#5	standard valve core



G100028, 3,000 PSI.

Code	Thread, Bottom	Type
G4	1/2"-20, SAE#5	valve core+metal seal/military



G100029, 3,000 PSI.

Code	Thread, Bottom	Type
G5	1/2"-20, SAE#5	metal seal, military type



G100030, 3,000 PSI.

Code	Thread, Bottom	Type
G6	1/2"-20, SAE#5	metal seal, military type



G100031, 3,000 PSI.

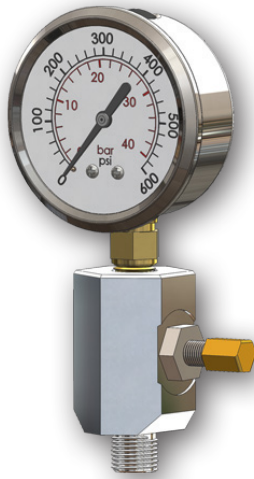
Code	Thread, Bottom	Type
G7	1/2"-20, SAE#5	metal seal, military type

Valve Core

G10003, 3,000 PSI.
G10004, 4,000 PSI.

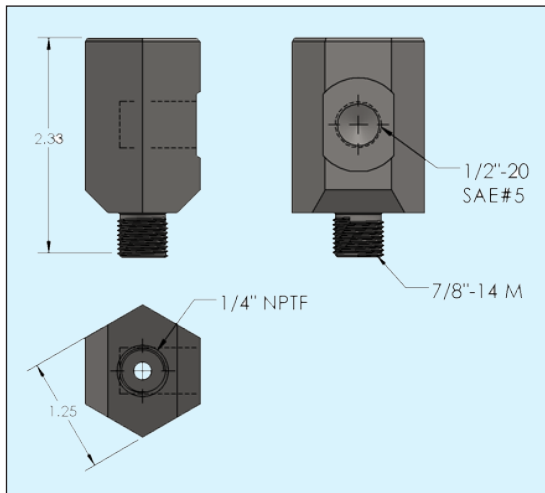


Gauging Adapter RGA-102



Gauging adapter RGA-102 is designed for the 3,000 PSI bladder accumulators with standard 7/8"-14 bladder stem. By connecting the pressure gauge on the top port of the adapter, the users can monitor the accumulator's pressure in real time.

The port can also be used to connect rupture disks for additional safety use. *(adapter only, not including the gas valve, pressure gauge in the picture.)*

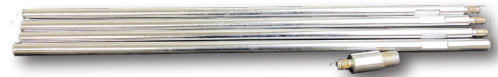


How to Order

- RGA-102, gauging adapter, carbon steel
- RGA-102S, gauging adapter, stainless steel

Hand Tools & Accessories

BLADDER PULL RODS WITH ADAPTER, T800125



Bladder Pull Rods, for 1-15G accumulators service; 64" long. Dual connections design with adapter connecting to:

- Schrader valve, 0.305-32
- standard bladder stem 1/2"-20 UNF (strong pull, recommended).

Length: 16" each rod, 4 pieces. *(this tool is included in service kit RMK-100X)*

SPANNER WRENCH, T800124



Used for accumulator assembly/disassembly, fluid port and top repairable gas end adapter lock nut replacement. Size: 2"-4-3/4" *(this tool is included in service kit RMK-100X)*

GAS VALVE EXTENSION, T800200



Used for 3,000 PSI top repairable accumulator pre-charging connection along with our charging kit RGA-100-X.

VALVE CORE TOOL, T800126



Used to remove or install the valve core, depress the valve core for gas release. It also includes ID and OD thread chasing capabilities. *(this tool is included in service kit RMK-100X)*

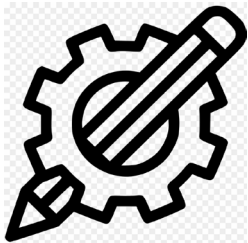
VALVE CORE TORQUE WRENCH, T800127



Used to install the valve core precisely with correct torque. Do not under-tighten or over-tighten the valve ore.



DESIGN • PRODUCTION • SERVICE



On-site

Accumulator Repair and diagnosis, technical assistance.
Save time and money.

Call 323-800-6566 to speak with our accumulator specialist to schedule an appointment.