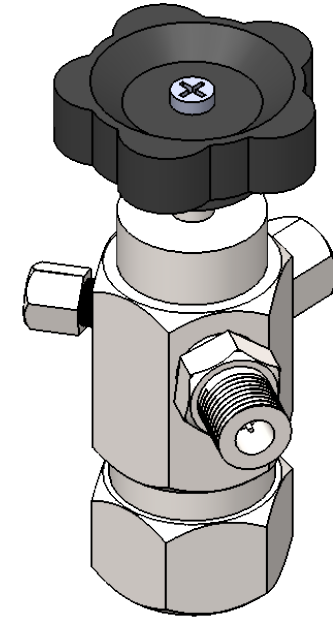
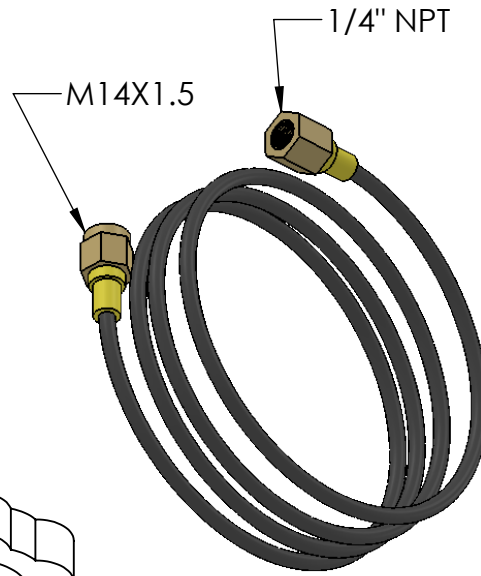
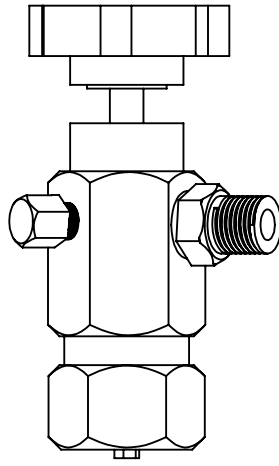
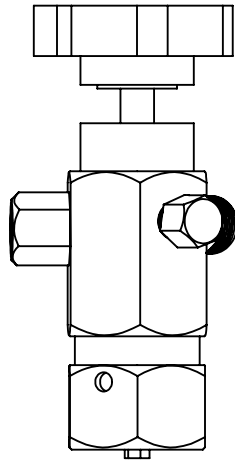


2

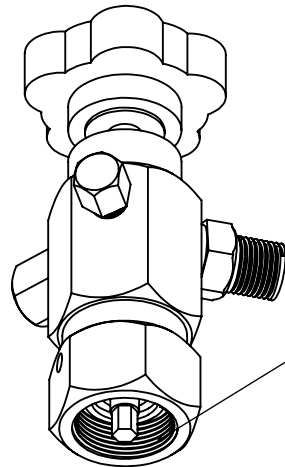
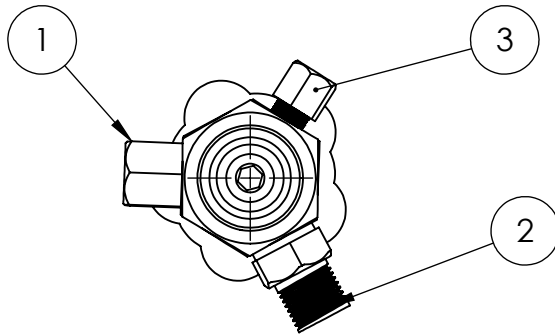
1

Diaphragm Accumulator Charging Kit, 40MPa



B

B



M28X1.5

A

A

- 1-Pressure Gauge Connection 1/4" NPT
- 2-Hose Connection M14X1.5
- 3-Plug

UNLESS OTHERWISE SPECIFIED:

DIMENSIONS ARE IN INCHES
 TOLERANCES:
 FRACTIONAL ±
 ANGULAR: MACH ± BEND ±
 TWO PLACE DECIMAL ±
 THREE PLACE DECIMAL ±



TITLE: Diaphragm Acc. Charging

PROPRIETARY AND CONFIDENTIAL
 THE INFORMATION CONTAINED IN THIS DRAWING IS THE SOLE PROPERTY OF REASONTEK CORPORATION. ANY REPRODUCTION IN PART OR AS A WHOLE WITHOUT THE WRITTEN PERMISSION OF REASONTEK CORPORATION IS PROHIBITED.

DO NOT SCALE DRAWING

FINISH
 COMMENTS:

DRAWN	CHECKED	ENG APPR.	MFG APPR.	Q.A.
-------	---------	-----------	-----------	------

SIZE A	DWG. NO. RGA-200-	REV
------------------	----------------------	-----

SCALE: 1:2	WEIGHT:	SHEET 1 OF 1
------------	---------	--------------

2

1